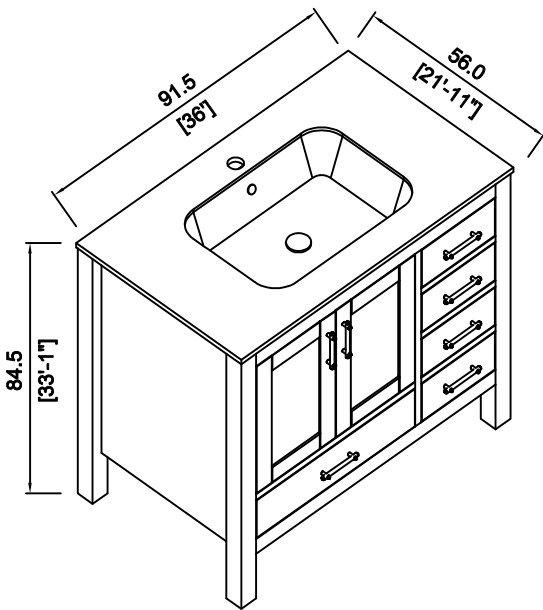
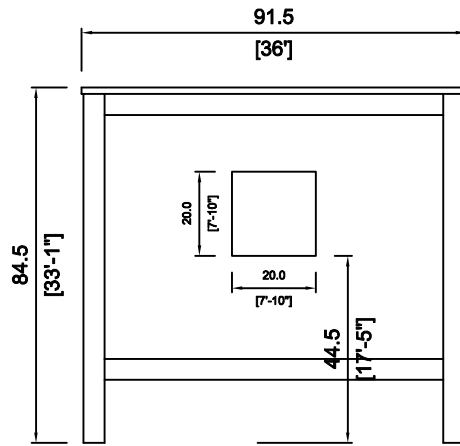


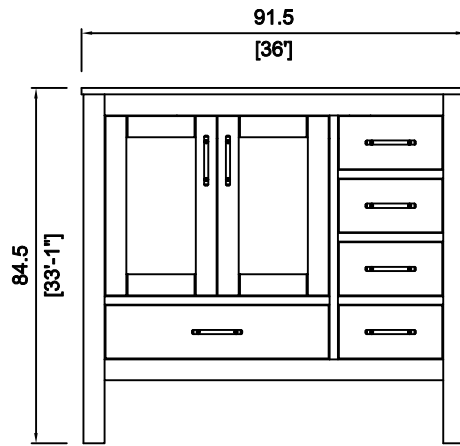
ASHLEY 36"



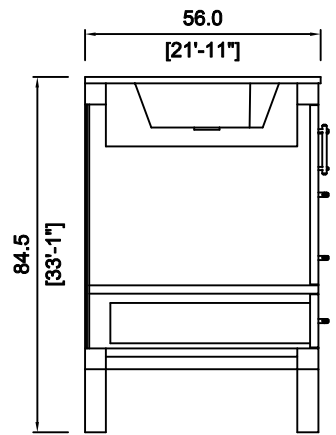
ISOMETRIC VIEW



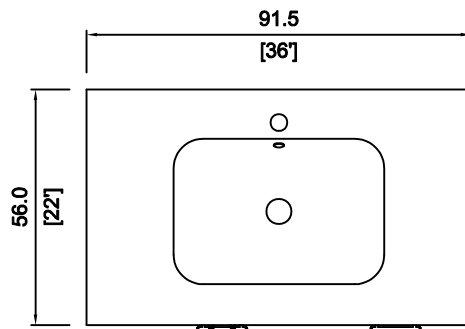
BACK VIEW



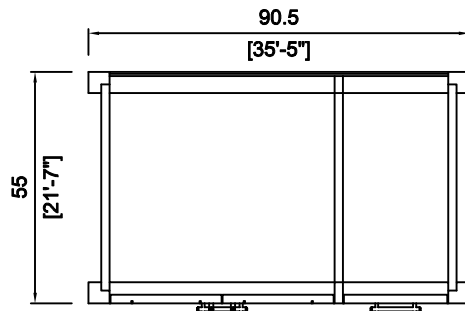
FRONT VIEW



SIDE SECTION



PLAN VIEW



PLAN SECTION