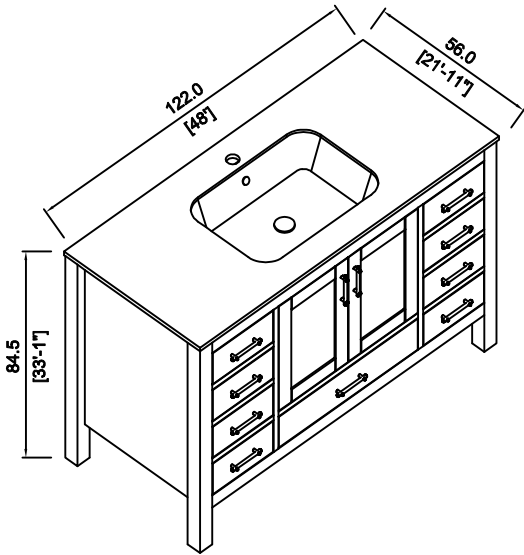
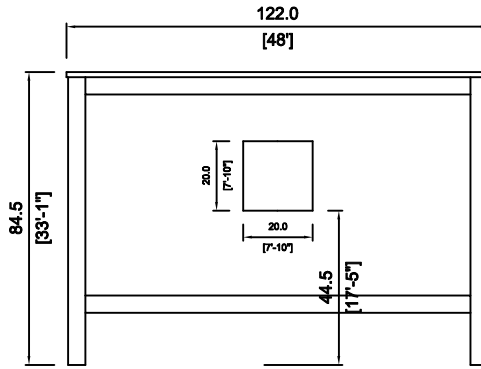


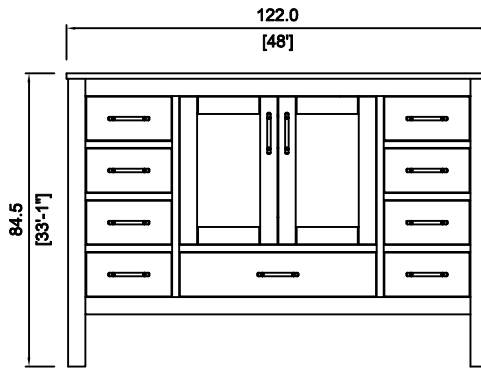
# ASHLEY 48"



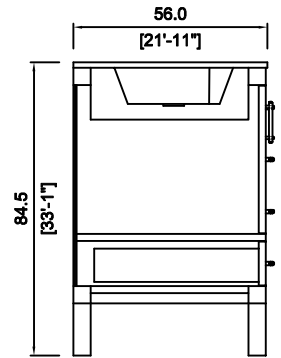
ISOMETRIC VIEW



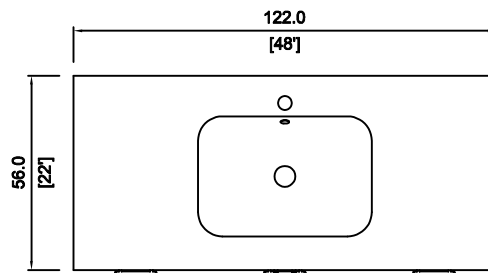
BACK VIEW



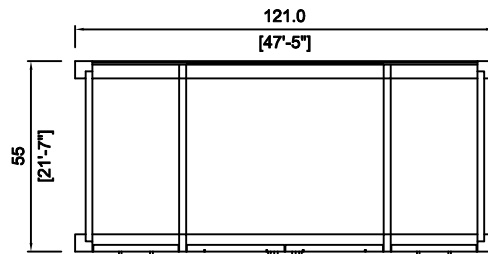
FRONT VIEW



SIDE SECTION



PLAN VIEW



PLAN SECTION